

VZPM

Position indicator, mechanical with adapter bushing



PRODUCT INFO

Position indicators VZPM indicate the distance travelled by linear units. They are mounted to the spindle journal of a linear unit using an adapter bushing and a grub screw.

The counter of the position indicator should be selected from the table based on the spindle thread pitch and direction and the size of the linear unit. Other options, such as installation orientation or housing color, can be defined in the article number.

The polyamide housing is ultrasonically welded, making it especially sturdy, tight and compact. The position indicator is also temperature-resistant to 80 °C and resistant to oils and solvents. The foam rubber seal provides mechanical decoupling and also acts as a seal. The hollow shaft is made of black oxide-finished steel.

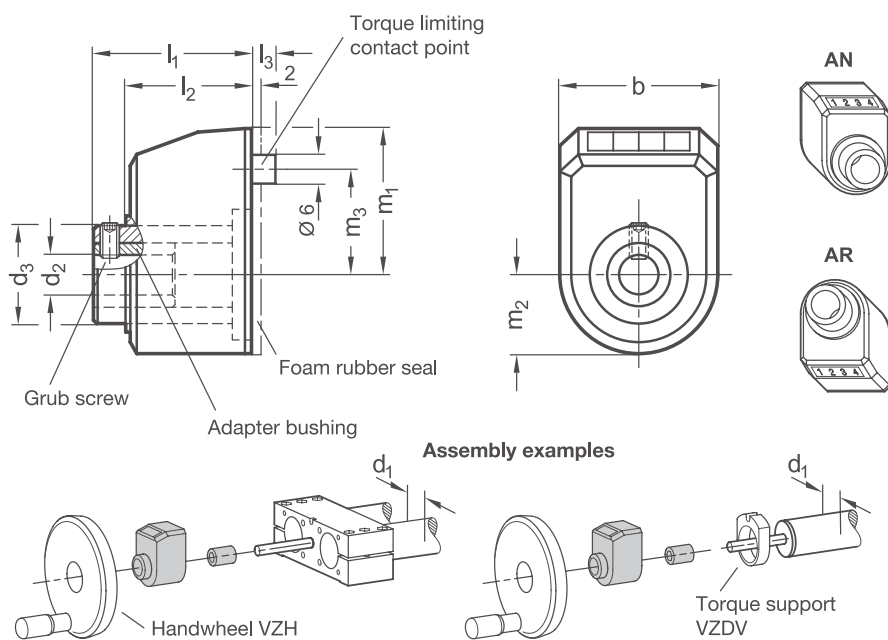
If the position indicator is attached to a single tube linear unit, a torque support VZDR or VZDV is required to prevent the position indicator from turning along. For double tube linear units, a torque support VZDD is required only for diameter 18.

As an alternative to the mechanical indicator system, a position indicator VZPE can also be used, which detects and displays the position electronically.

RoHS-compliant product



Original design DD52R, DD51, DD50



VZPM Position indicator, mechanical with adapter bushing

Linear unit nominal diameter d₁	Linear unit spindle pitch p	Counter ZW	Display after one spindle turn	b	d₂ H7	d₃	l₁	l₂	l₃	m₁	m₂	m₃	Grub screw	Max. speed rpm
18	3	003	003	24	6	14	26	21	5	28,5	10	18	M3	1500
30	4	004.0	0040	33	8	20	33	26	5,5	30,5	16,5	22	M 4	625
30	1	001.0	0010	33	8	20	33	26	5,5	30,5	16,5	22	M 4	1500
40	4	0004.0	00040	48	12	29	37	30	6	43,5	23	30	M 5	625
40	1	0001.0	00010	48	12	29	37	30	6	43,5	23	30	M 5	1500
50	4	0004.0	00040	48	12	29	37	30	6	43,5	23	30	M 5	625
50	1	0001.0	00010	48	12	29	37	30	6	43,5	23	30	M 5	1500
60	5	0005.0	00050	48	14	29	37	30	6	43,5	23	30	M 5	500

Type **t**

R	Numbers increase when turned clockwise
L	Numbers increase when turned counterclockwise

Hollow shaft / adapter bushing material **w**

ST	Steel black oxide-finished
EM	Stainless steel, AISI 304

Installation orientation **e**

AN	Inclined, top
AR	Inclined, bottom

Surface / material **o**

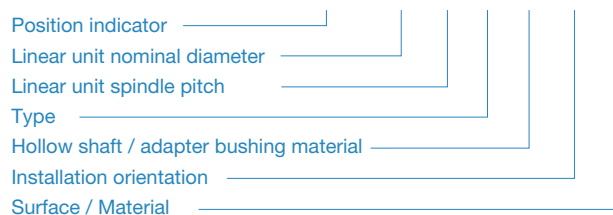
GR	Polyamide (PA), orange RAL 2004
OR	Polyamide (PA), gray RAL 7035

FOR USE WITH

- Single tube linear units, round, with torque support VZDR
- Single tube linear units, square, with torque support VZDV
- Double tube linear units with torque support VZDD for Ø 18

ORDER KEY

VZPM - d₁ - p - t - w - e - o



ON REQUEST

- Other / doubled thread pitches