



PRODUCT INFO

Position indicators VZPE indicate the distance travelled by linear units. They are mounted to the spindle journal of a linear unit using an adapter bushing and a grub screw.

Position indicators are matched to the size of the linear unit in the table. The position indicators must be adjusted for the thread pitch and direction of the respective linear unit using the operating buttons. The energy supply is ensured by a long-life battery.

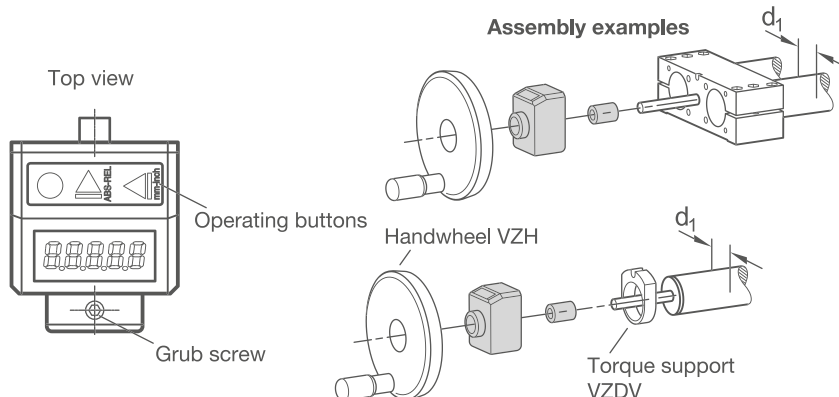
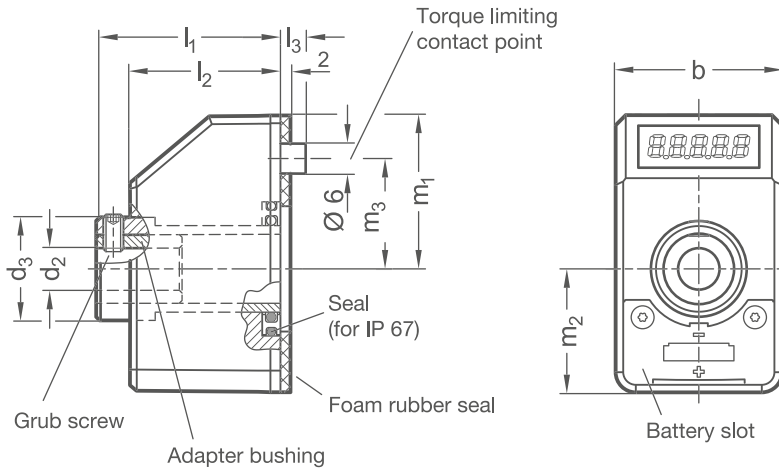
The polyamide housing is ultrasonically welded, making it especially sturdy, tight and compact. The position indicator is also temperature-resistant to 50 °C and resistant to oils and solvents. The foam rubber seal provides mechanical decoupling and also acts as a seal. The hollow shaft is made of stainless steel. In the IP 67 version, it is sealed with an NBR seal.

If the position indicator is attached to a single tube linear unit, a torque support VZDR or VZDV is required to prevent the position indicator from turning along.

RoHS-compliant product



Original design DD52R-E, DD51-E



VZPE Position indicator, electronic with adapter bushing

Linear unit nominal diameter d₁	b	d₂ H7	d₃	l₁	l₂	l₃	m₁	m₂	m₃	Grub screw	LCD display	Max. speed rpm
30	33,5	8	19,5	34	28,5	5,5	30,5	25	22	M 4	5	1000
40	48	12	28,5	41	34	6	40	32,5	30	M 5	6	1000
50	48	12	28,5	41	34	6	40	32,5	30	M 5	6	1000
60	48	14	28,5	41	34	6	40	32,5	30	M 5	6	1000

Ambient conditions

u

1	Protection rating IP 65
2	Protection rating IP 67

Surface

o

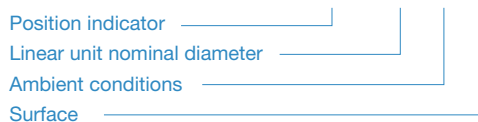
GR	Polyamide (PA), orange RAL 2004
OR	Polyamide (PA), gray RAL 7035

FOR USE WITH

- Single tube linear units, round, with torque support VZDR
- Single tube linear units, square, with torque support VZDV
- Double tube linear units

ORDER KEY

VZPE - d₁ - u - o



ON REQUEST

- Position indicator with wireless data transmission